

Model PHP

Pressure Transducer for Precision Measurements

Description

The PHP digital pressure transducer is a high accuracy and performance for precision pressure measurement component that uses either RS-232 to communicate with host computer and analog output. The PHP have a excellent small temperature error below 0.025% in the range of -10~50°C. The communication S/W is included in delivery.

Features

- ▶ VDC, mA Analog output
- ▶ RS232 Digital output
- ▶ Measuring range 0~150MPa
- ▶ 0.035%FS accuracy
- ▶ Gauge and absolute measurement
- ▶ Stainless steel media-wetted materials

Applications

- ▶ Measurement and test benches
- ▶ Calibration technology
- ▶ Laboratories
- ▶ Plant construction and machine building

Specifications



Range

0 ~ 100kPa ... 150MPa(Gauge)
-100kPa ~ 0 ~ 100kPa ... 150MPa(Gauge)
0 ~ 100kPa ... 70MPa(Absolute)

Performance

Accuracy $\pm 0.035\%FS(RSS)$
Thermal Effect on Zero $\pm 0.025\%FS$
Thermal Effect on Span $\pm 0.025\%FS$
Long-term Stability $\pm 0.05\%FS/year$
Compensated Temperature Range -10 ~ 50°C
Operating Temperature Range -20 ~ 80°C

Electrical

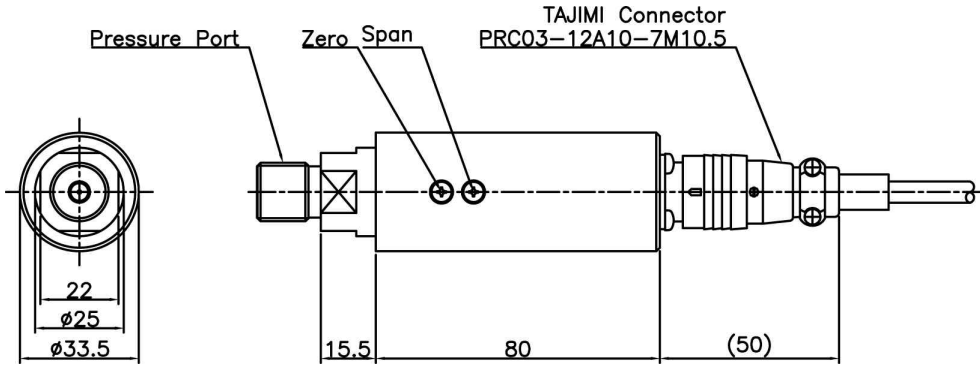
Excitation 11 ~ 32VDC
Analog Output 0~5VDC, 1~5VDC, 0~10VDC, 4~20mA(3Wire)
Digital Output RS232(19200, 8, n, 1)
Electrical Connection TAJIMI Connector

Physical

Proof Pressure X1.5 or 150MPa, Whichever is less.
Burst Pressure X2 or 150MPa, Whichever is less.
Vibration $49.1m/s^2\{5G\}$, 10~500Hz
Shock $490m/s^2\{50G\}$
Pressure port R(PT)1/8", G(PF)1/8", R(PT)1/4", G(PF)1/4", R(PT)3/8", G(PF)3/8"
Media-Wetted Materials Stainless Steel 316L, Viton (>70MPa : Stainless Steel 303, Titanium 87% Alloy)
Weight Connector type : Approx. 270g (Sensor Only)

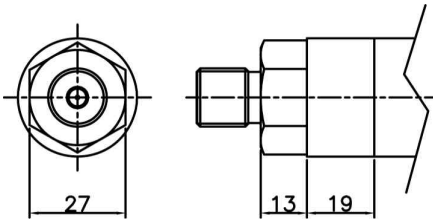
Dimension

▶ ≤ 70MPa



Pin No.	Wire Color	Connections
A	White	GND
B	Red	Excitation ⊕
C	Shield	FG
D	Green	Analog Output ⊕
E	Yellow	TXD
F	Black	GND
G	Blue	RXD

▶ > 70MPa



Ordering Information

<p>Model Name</p> <p>Output C : 0~5V, RS232 E : 1~5V, RS232 J : 0~10V, RS232 G : 4~20mA(3Wire), RS232</p> <p>Pressure Range XXXX : Pressure CXXX : Compound Pressure</p>	<p>PHP C 0100 R D T G</p>	<p>Type of Pressure Measurement G : Gauge J : Absolute</p> <p>Connecting Methods T : TAJIMI Connector</p> <p>Pressure port A : R(PT)3/8" E : PT1/2" B : G(PF)3/8" Q : PF1/2" C : R(PT)1/4" G : PT1/8" D : G(PF)1/4" H : PF1/8"</p> <p>Pressure Unit R : kPa M : MPa B : bar K : kgf/cm² P : psi H : mmHg I : inchHg T : Torr D : mmH₂O C : cmH₂O N : inchH₂O</p>
---	----------------------------------	--

Sensys SENSOR SYSTEM TECHNOLOGY CO., LTD.

ADD : RM5010, Ansan Digital Park, 1123 Singil-Dong,
 Danwon-Gu, Ansan-Si, Gyeonggi-Do, Korea
 TEL : 82-31-310-8910~9
 FAX : 82-31-310-8920
 http://www.sensys.co.kr
 e-mail : master@sensys.co.kr

· Specifications are subject to change without notice.